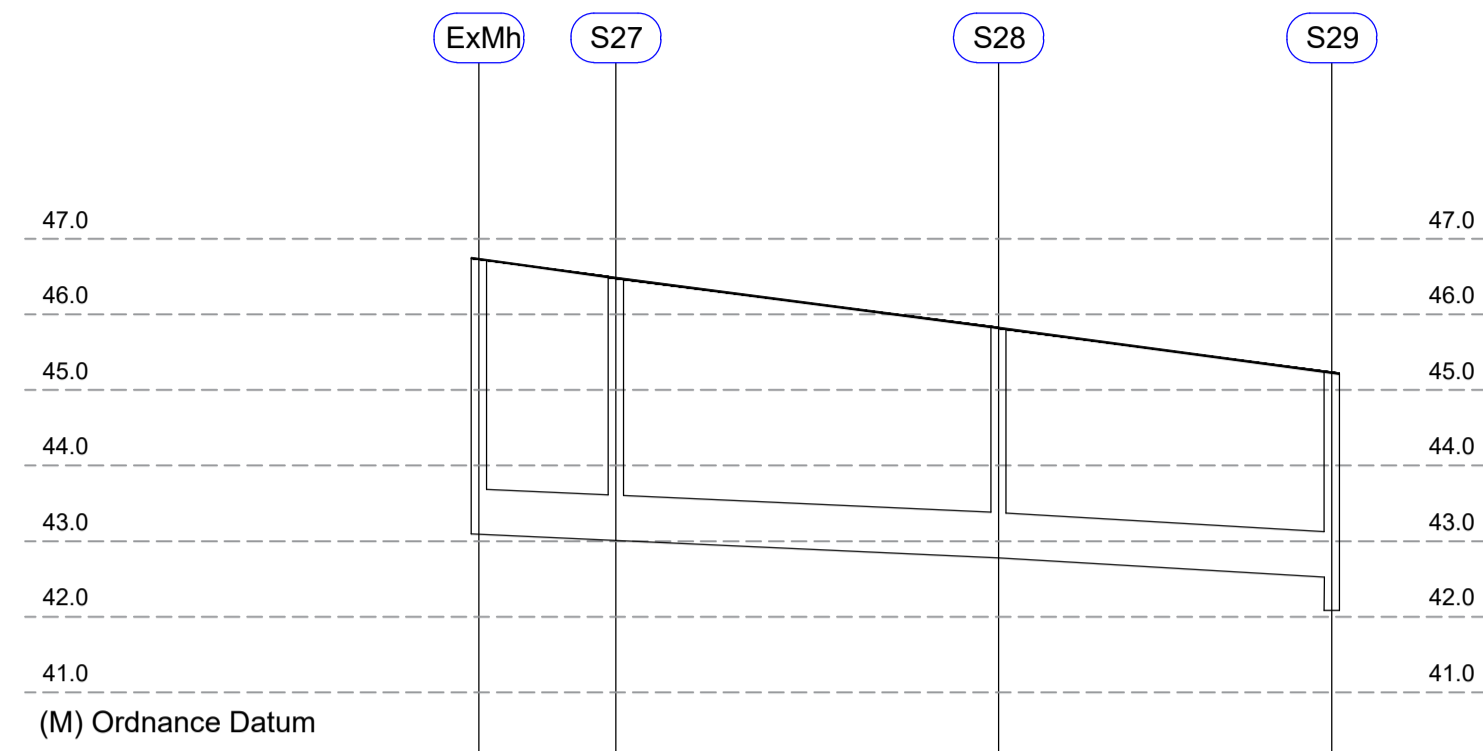


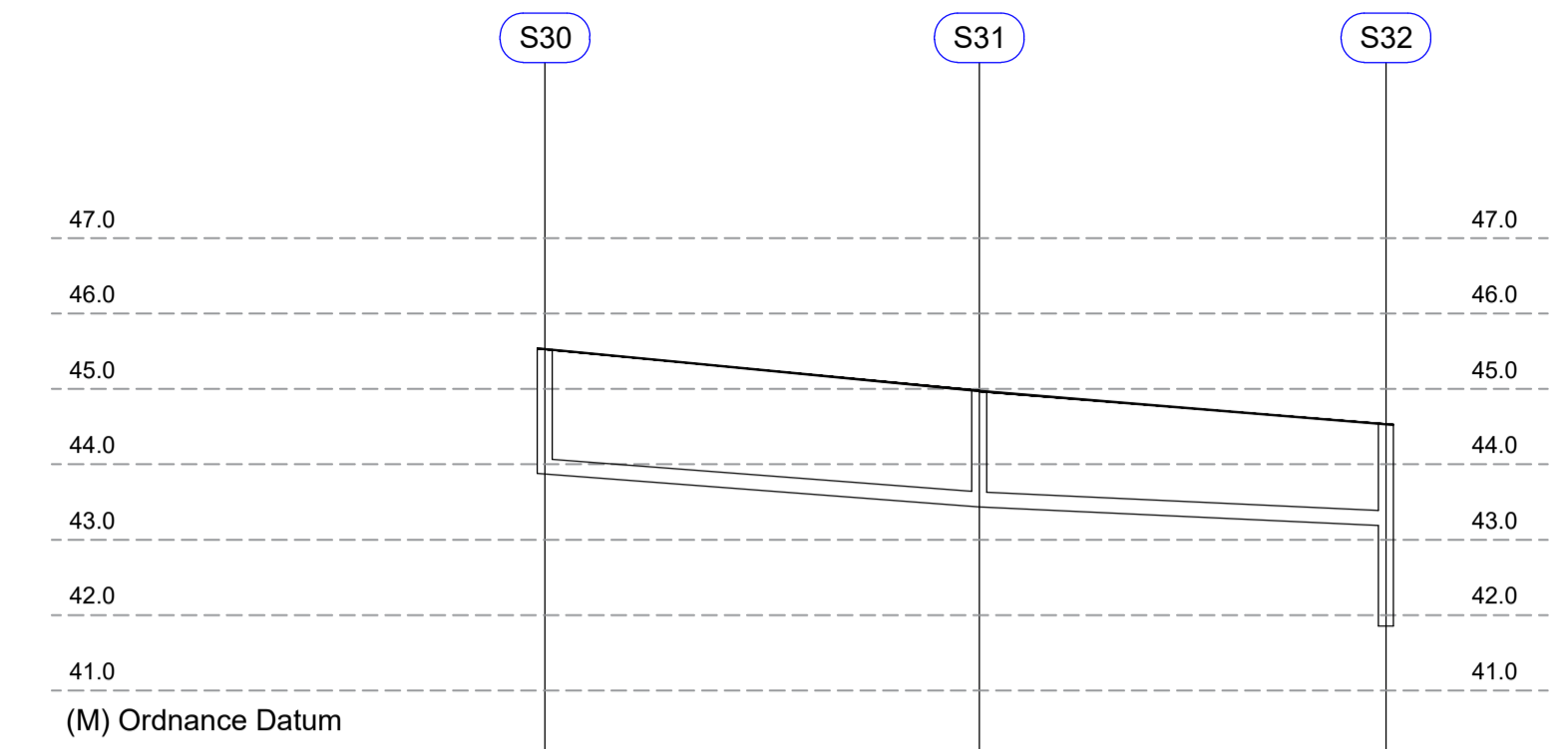
Pipe Number (PN)	6.000	6.001	6.002	6.003
Diameter (mm)	225	225	225	225
Slope (1:X)	36.0	28.5	50.0	100.0
Cover Level (m)	47.650, 48.150	46.904, 48.450	45.185, 46.966	44.764, 47.150
Invert Level (m)	47.650	46.904	45.185	44.764, 47.300
Pipe Length (m)	26.853	48.992	25.244	7.070
Concrete Surround Pipe Protection	No	No	No	No

STORM SEWER LONGSECTION S17 TO S21  
HORIZONTAL SCALE 1:500  
VERTICAL SCALE 1:100



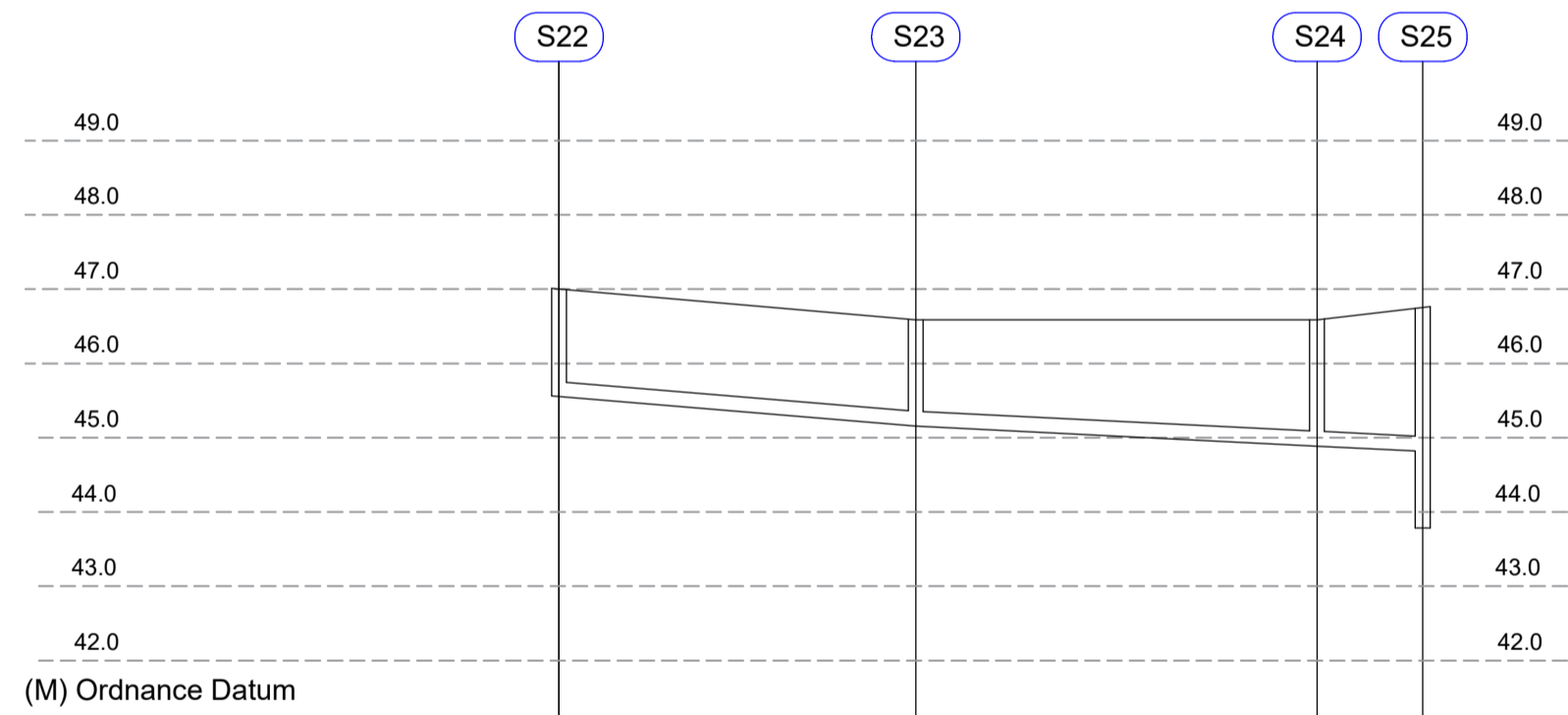
Pipe Number (PN)	8.000	8.001
Diameter (mm)	600	600
Slope (1:X)	100.0	100.0
Cover Level (m)	n/a, 46.500	42.745, 45.850
Invert Level (m)	n/a, 43.000	42.745
Pipe Length (m)	25.323	22.035
Concrete Surround Pipe Protection	No	No

STORM SEWER LONGSECTION S27 TO S29  
HORIZONTAL SCALE 1:500  
VERTICAL SCALE 1:100



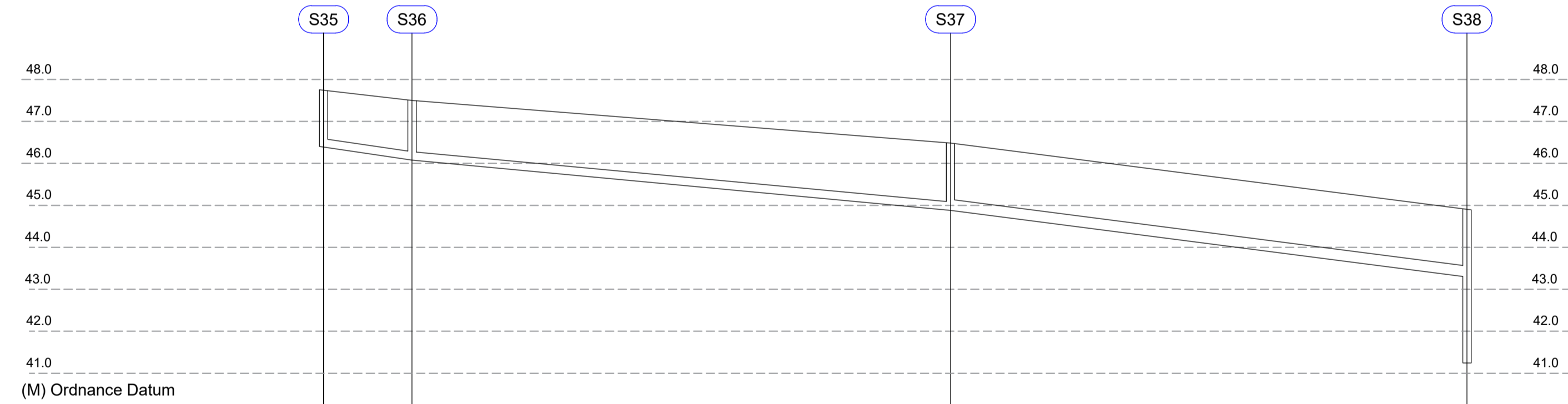
Pipe Number (PN)	9.000	9.001
Diameter (mm)	225	225
Slope (1:X)	60.0	75.0
Cover Level (m)	43.900, 45.550	43.420, 45.000
Invert Level (m)	43.900	43.420
Pipe Length (m)	28.800	26.790
Concrete Surround Pipe Protection	No	No

FOUL SEWER LONGSECTION F28 TO F30  
HORIZONTAL SCALE 1:500  
VERTICAL SCALE 1:100



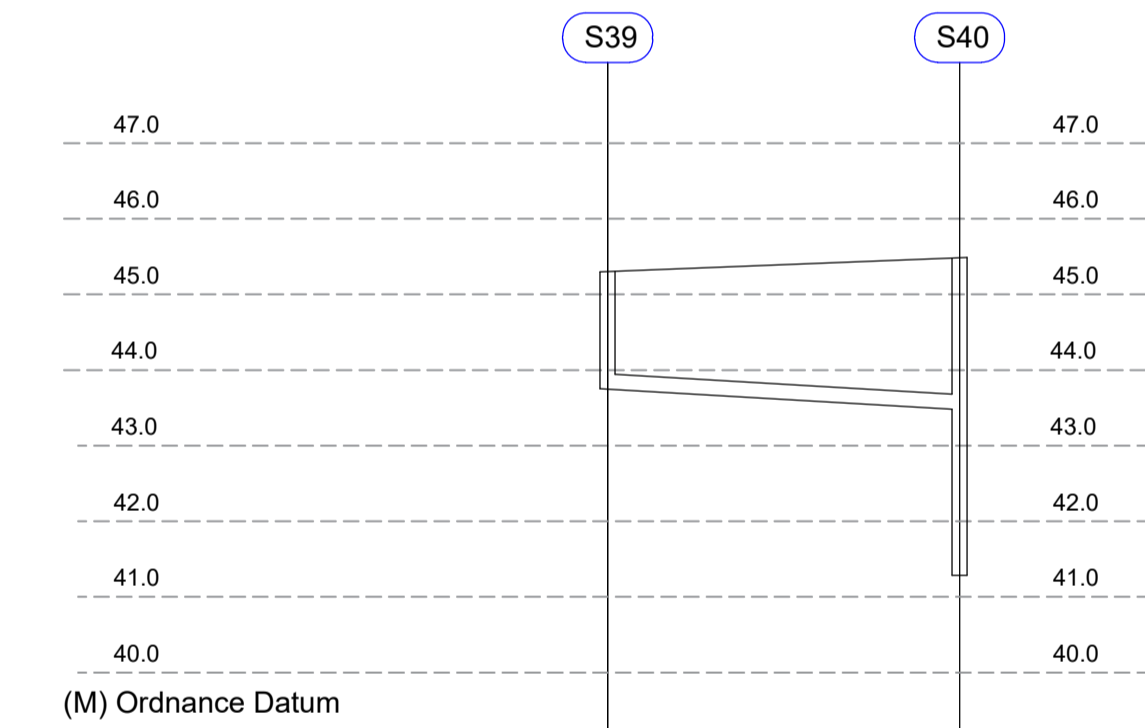
Pipe Number (PN)	7.000	7.001	7.002
Diameter (mm)	225	225	225
Slope (1:X)	60.0	120.0	120.0
Cover Level (m)	45.550, 47.000	45.149, 46.020	44.924, 46.640
Invert Level (m)	45.550	45.149	44.924, 46.650
Pipe Length (m)	24.031	27.028	7.122
Concrete Surround Pipe Protection	No	No	No

STORM SEWER LONGSECTION S22 TO S25  
HORIZONTAL SCALE 1:500  
VERTICAL SCALE 1:100



Pipe Number (PN)	10.000	10.001	10.002
Diameter (mm)	225	225	300
Slope (1:X)	40.0	56.0	38.0
Cover Level (m)	46.300, 47.750	44.891, 46.440	43.272, 44.809
Invert Level (m)	46.300	46.037, 47.500	41.393
Pipe Length (m)	10.535	64.140	61.520
Concrete Surround Pipe Protection	No	No	No

STORM SEWER LONGSECTION S35 TO S38  
HORIZONTAL SCALE 1:500  
VERTICAL SCALE 1:100



Pipe Number (PN)	11.000
Diameter (mm)	225
Slope (1:X)	80.0
Cover Level (m)	43.800, 45.250
Invert Level (m)	43.800
Pipe Length (m)	23.280
Concrete Surround Pipe Protection	No

STORM SEWER LONGSECTION S39 TO S40  
HORIZONTAL SCALE 1:500  
VERTICAL SCALE 1:100

**PLANNING DRAWING.**  
NOT FOR CONSTRUCTION.  
ALL LEVELS GIVEN ARE  
RELATIVE TO ORDNANCE DATUM.  
THIS DRAWING HAS BEEN ISSUED FOR INFORMATION  
PURPOSES ONLY AND MUST NOT BE USED  
FOR CONSTRUCTION UNDER ANY CIRCUMSTANCES

- NOTES**
- For setting out refer to Architect's drawings.
  - This drawing to be read in conjunction with all other Architectural and Engineering drawings and all other relevant drawings and Specifications.
  - DO NOT SCALE THIS DRAWING. Use figured dimensions only.
  - No part of this document may be reproduced or transmitted in any form or stored in any retrieval system of any nature without the written permission as copyright holder except as agreed for use on the project for which the document was originally issued.
  - Ordnance Survey Ireland Licence Number EN 0074021

Rev. No.	Date	REVISION NOTE	Dm. By	Chkd. By
P1	22.01.2021	OSI Licence Updated	JS	NB

Architect	Reddy Architecture + Urbanism
Project	Residential Development Clonattin, Gorey
Title	Proposed Storm Longsection Sheet 3 of 6
Dwg. No.	CLO-CSC-ZZ-XX-DR-C-0050
Date	May 2020
Dm. by	AB
Chkd. by	GL
Aprvd. by	NB
Scale	AS SHOWN
Revision	P1

**CS Consulting Group**  
DUBLIN | LONDON | LIMERICK

Head Office  
19-22 Dame Street, Dublin 2.  
T: +353 (0)1 5480863 F: +353 (0)1 9011355  
e: info@csconsulting.ie  
w: www.csconsulting.ie

Quality Environment I.S. EN ISO 9001:2008  
NSAI Certified Health & Safety I.S. EN ISO 14001:2004 I.S. EN ISO 50001:2011