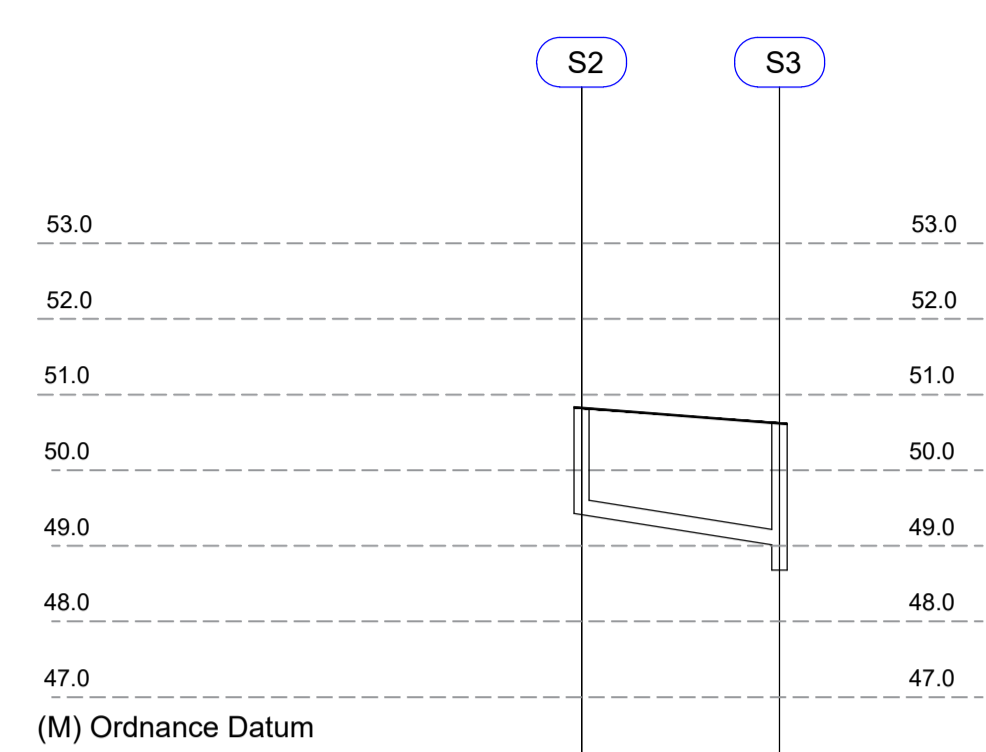


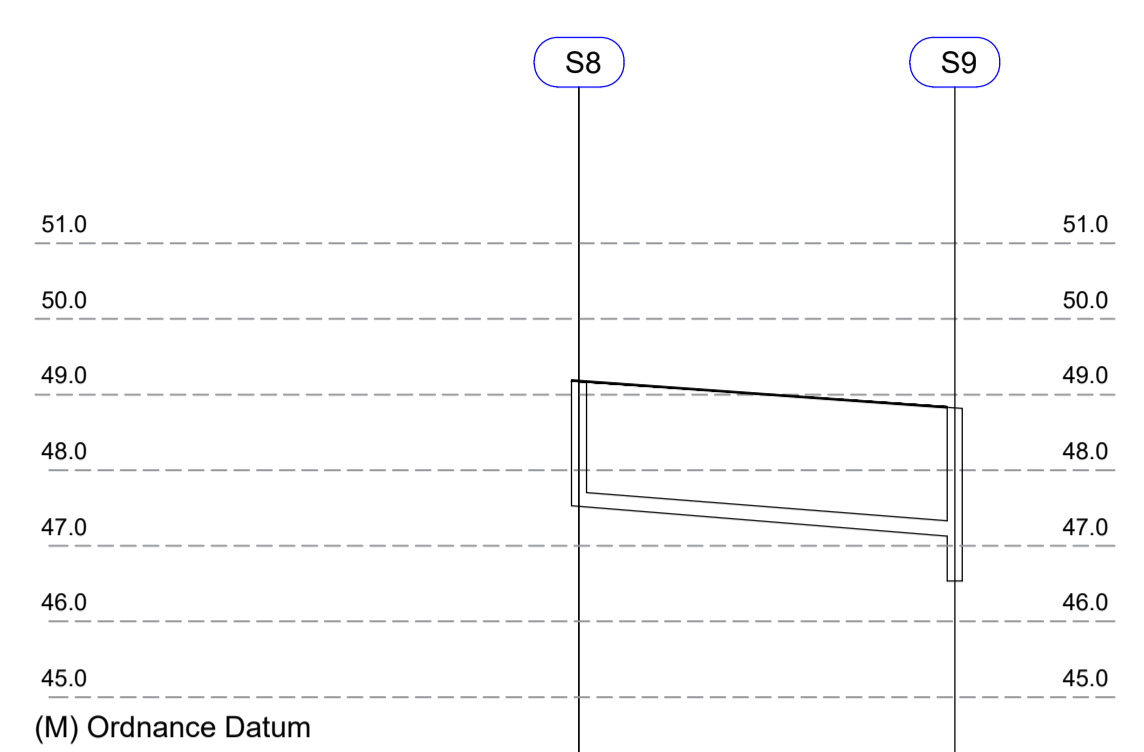
Pipe Number (PN)	1.015	1.016	1.017	1.018	Existing
Diameter (mm)	1050	1050	1050	1050	1050
Slope (1:X)	300	300	300	300	n/a
Cover Level (m)	41.354 / 44.809	41.241 / 45.450	41.085 / 45.150	41.085 / 43.310	
Invert Level (m)	41.354 / 41.354	41.241 / 41.241	41.085 / 41.085	40.930 / 40.930	
Pipe Length (m)	34.040	46.920	46.916	9.449	n/a
Concrete Surround Pipe Protection	No	No	No	No	No

STORM SEWER LONGSECTION S38 TO EXISTING SURFACE WATER SEWER
 HORIZONTAL SCALE 1:500
 VERTICAL SCALE 1:100



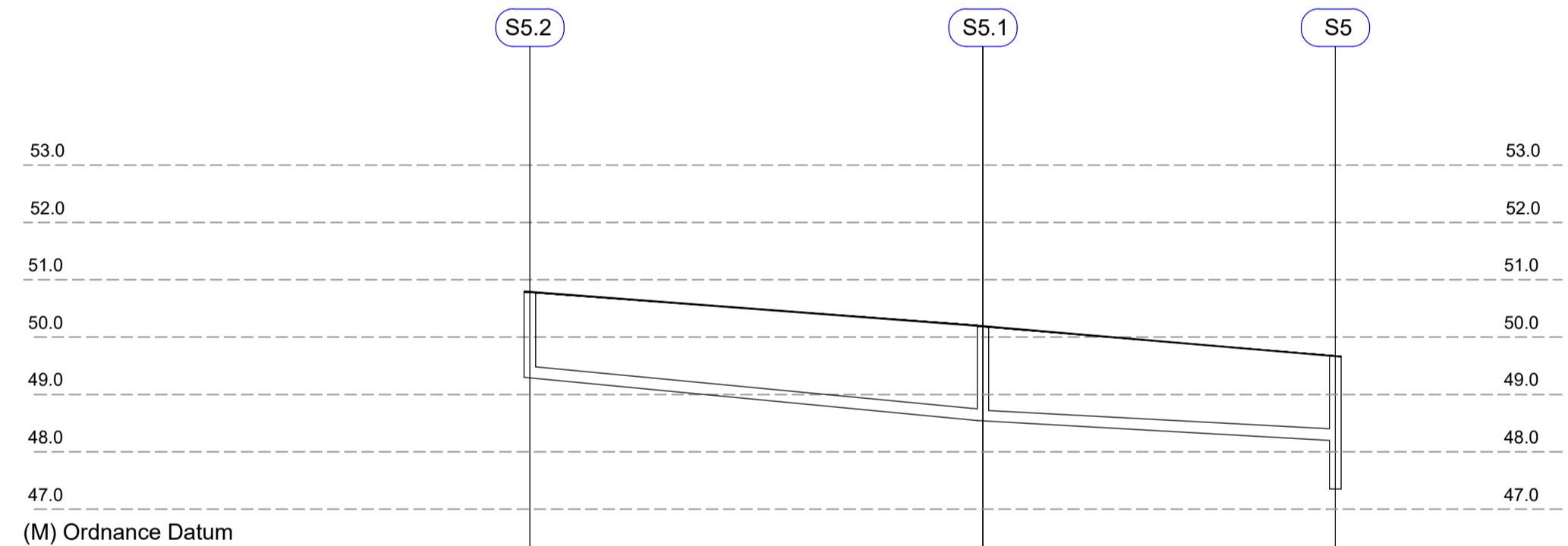
Pipe Number (PN)	2.000
Diameter (mm)	225
Slope (1:X)	40.0
Cover Level (m)	49.400 / 50.860
Invert Level (m)	49.400 / 49.400
Pipe Length (m)	13.089
Concrete Surround Pipe Protection	No

STORM SEWER LONGSECTION S2 TO S3
 HORIZONTAL SCALE 1:500
 VERTICAL SCALE 1:100



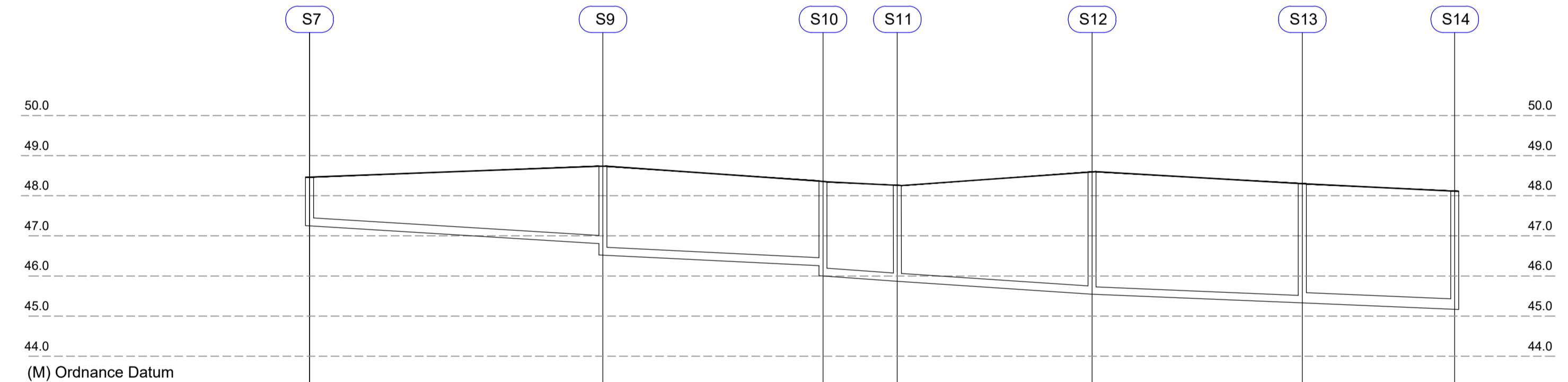
Pipe Number (PN)	5.000
Diameter (mm)	225
Slope (1:X)	60.0
Cover Level (m)	47.550 / 49.160
Invert Level (m)	47.550 / 47.550
Pipe Length (m)	24.773
Concrete Surround Pipe Protection	No

STORM SEWER LONGSECTION S8 TO S9
 HORIZONTAL SCALE 1:500
 VERTICAL SCALE 1:100



Pipe Number (PN)	3.000	3.001
Diameter (mm)	225	225
Slope (1:X)	60	90
Cover Level (m)	48.275 / 50.775	48.617 / 50.195
Invert Level (m)	48.275 / 48.275	48.617 / 48.617
Pipe Length (m)	39.475	30.710
Concrete Surround Pipe Protection	No	No

STORM SEWER LONGSECTION S5.2 TO S5
 HORIZONTAL SCALE 1:500
 VERTICAL SCALE 1:100



Pipe Number (PN)	4.000	4.001	4.002	4.003	4.004	4.005
Diameter (mm)	225	225	225	225	225	300
Slope (1:X)	100	100	100	100	100	100
Cover Level (m)	47.200 / 48.480	46.834 / 48.822	46.025 / 48.435	45.907 / 48.390	45.657 / 48.840	45.375 / 48.340
Invert Level (m)	47.200 / 47.200	46.500 / 46.500	46.000 / 46.000	45.900 / 45.900	45.657 / 45.657	45.300 / 45.300
Pipe Length (m)	36.600	27.460	9.264	24.308	26.245	19.012
Concrete Surround Pipe Protection	No	No	No	No	No	No

STORM SEWER LONGSECTION S7 TO S14
 HORIZONTAL SCALE 1:500
 VERTICAL SCALE 1:100

PLANNING DRAWING.
 NOT FOR CONSTRUCTION.
 ALL LEVELS GIVEN ARE
 RELATIVE TO ORDNANCE DATUM.
 THIS DRAWING HAS BEEN ISSUED FOR INFORMATION
 PURPOSES ONLY AND MUST NOT BE USED
 FOR CONSTRUCTION UNDER ANY CIRCUMSTANCES

NOTES

- For setting out refer to Architect's drawings.
- This drawing to be read in conjunction with all other Architectural and Engineering drawings and all other relevant drawings and Specifications.
- DO NOT SCALE THIS DRAWING. Use figured dimensions only.
- No part of this document may be reproduced or transmitted in any form or stored in any retrieval system of any nature without the written permission as copyright holder except as agreed for use on the project for which the document was originally issued.
- Ordnance Survey Ireland Licence Number EN 0074021

Rev. No.	Date	REVISION NOTE	Dm. By	Chkd. By
P1	22.01.2021	OSI Licence Updated	JS	NB

Architect	Reddy Architecture + Urbanism
Project	Residential Development Clonattin, Gorey
Title	Proposed Storm Longsection Sheet 2 of 6 CLO-CSC-ZZ-XX-DR-C-0049
Dwg. No.	
Date	May 2020
Dm. by	AB
Chkd. by	GL
Aprvd. by	NB
Scale	AS SHOWN
Revision	P1

CS Consulting Group
 DUBLIN | LONDON | LIMERICK

Head Office
 19-22 Dame Street, Dublin 2.
 T: +353 (0)1 5480863 F: +353 (0)1 9011355
 e: info@csconsulting.ie
 w: www.csconsulting.ie

Quality Environment I.S. EN ISO 9001:2008
 NSAI Certified Health & Safety I.S. EN ISO 14001:2004
 I.S. EN ISO 50001:2011
 OHSAS 18001:2007