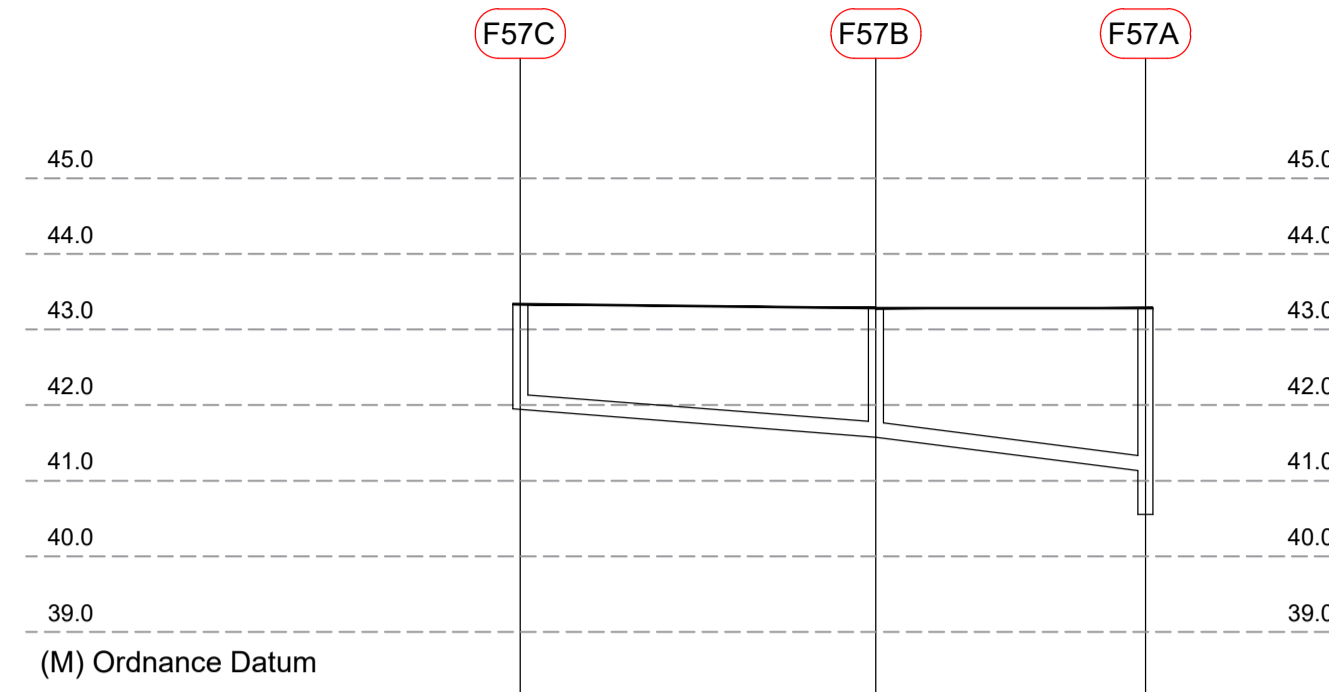


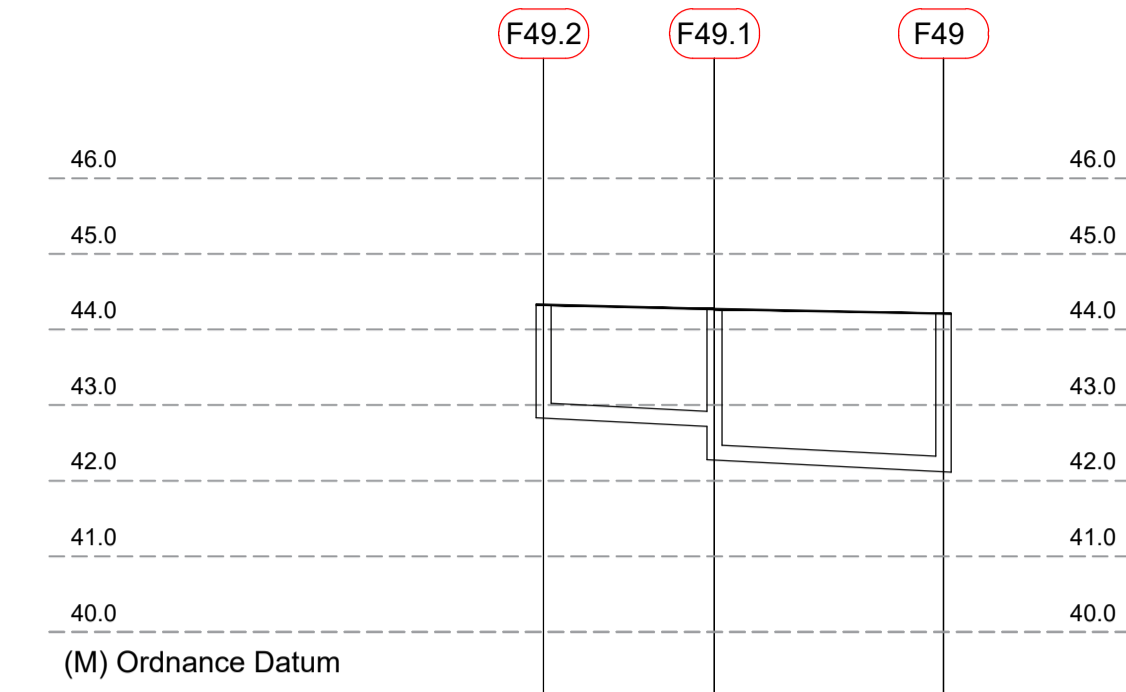
|                                   |        |        |
|-----------------------------------|--------|--------|
| Diameter (mm)                     | 150    | 150    |
| Slope (1:X)                       | 80.0   | 120    |
| Cover Level (m)                   | 43.030 | 43.300 |
| Invert Level (m)                  | 41.720 | 41.000 |
| Pipe Length (m)                   | 33.840 | 37.570 |
| Concrete Surround Pipe Protection | No     | No     |

**FOUL SEWER LONGSECTION F57.2 TO F57.1**  
HORIZONTAL SCALE 1:500  
VERTICAL SCALE 1:100



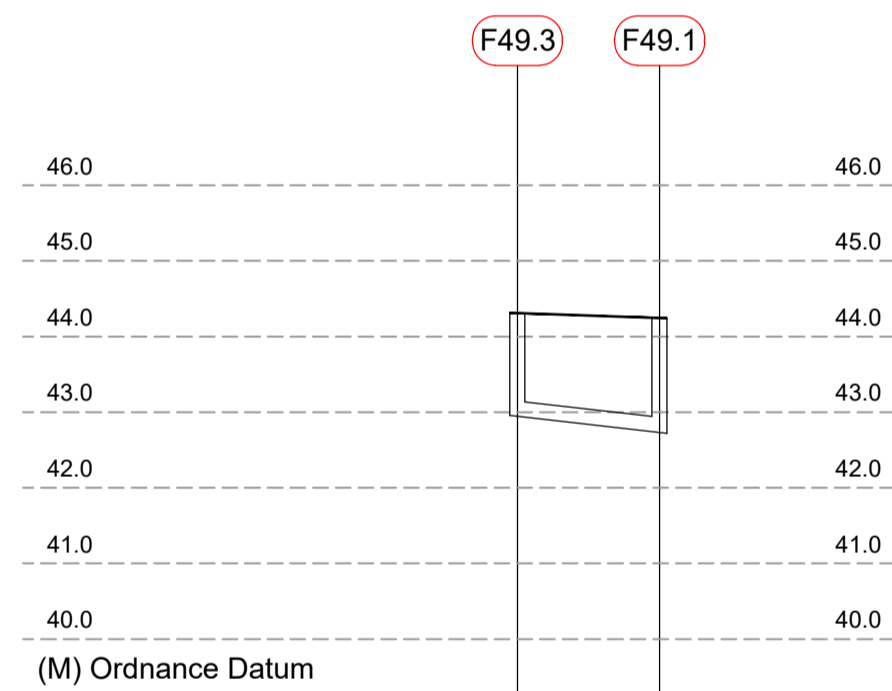
|                                   |        |        |
|-----------------------------------|--------|--------|
| Diameter (mm)                     | 150    | 150    |
| Slope (1:X)                       | 60.0   | 36.0   |
| Cover Level (m)                   | 43.400 | 43.350 |
| Invert Level (m)                  | 41.970 | 40.690 |
| Pipe Length (m)                   | 23.520 | 17.830 |
| Concrete Surround Pipe Protection | No     | No     |

**FOUL SEWER LONGSECTION F57C TO F57A**  
HORIZONTAL SCALE 1:500  
VERTICAL SCALE 1:100



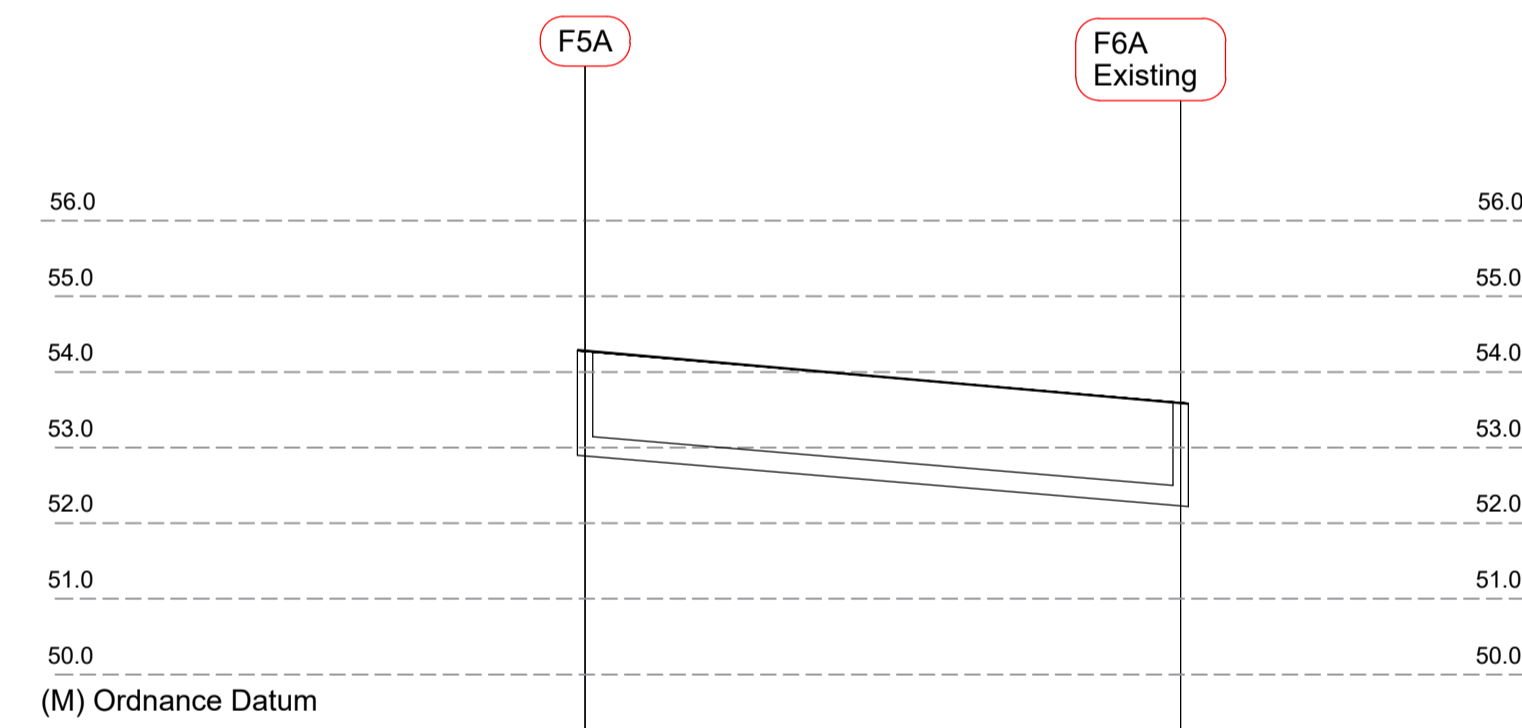
|                                   |        |        |
|-----------------------------------|--------|--------|
| Diameter (mm)                     | 150    | 150    |
| Slope (1:X)                       | 60.0   | 80.0   |
| Cover Level (m)                   | 44.350 | 44.250 |
| Invert Level (m)                  | 42.900 | 41.350 |
| Pipe Length (m)                   | 11.300 | 17.830 |
| Concrete Surround Pipe Protection | No     | No     |

**FOUL SEWER LONGSECTION F49.2 TO F49**  
HORIZONTAL SCALE 1:500  
VERTICAL SCALE 1:100



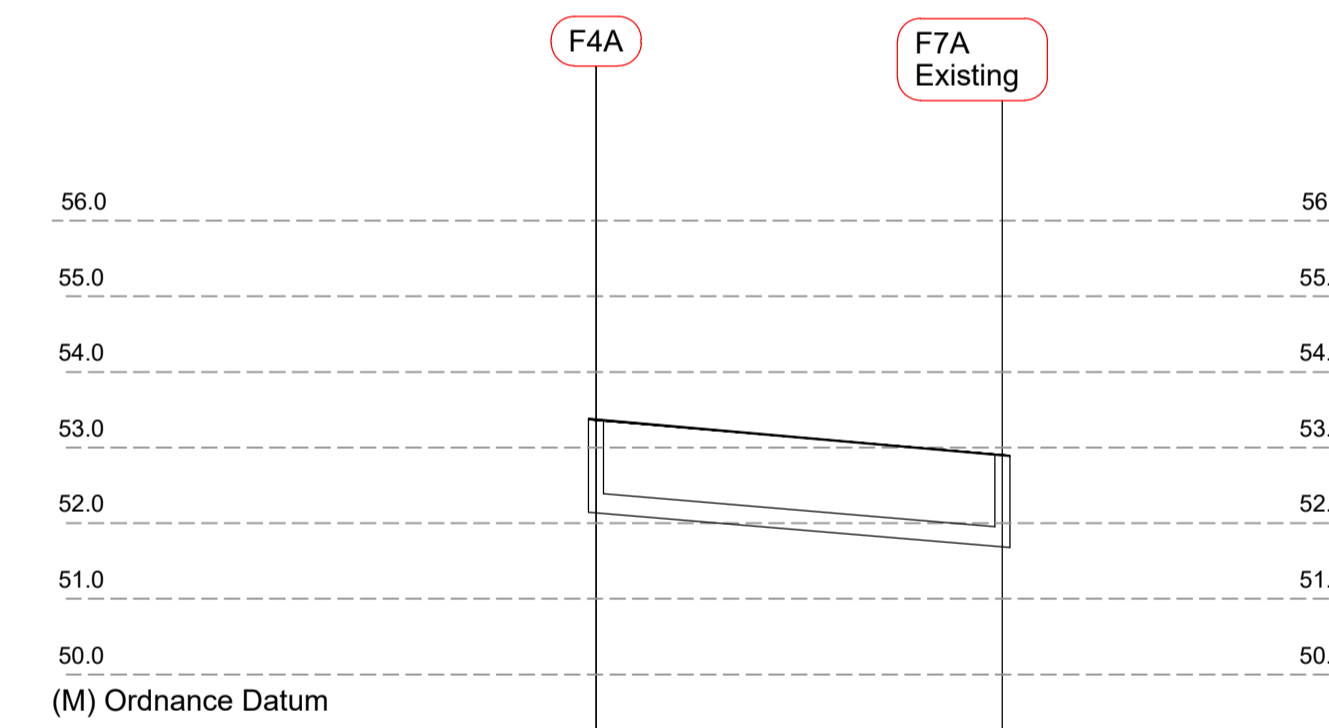
|                                   |        |
|-----------------------------------|--------|
| Diameter (mm)                     | 150    |
| Slope (1:X)                       | 60.0   |
| Cover Level (m)                   | 44.350 |
| Invert Level (m)                  | 42.900 |
| Pipe Length (m)                   | 9.400  |
| Concrete Surround Pipe Protection | No     |

**FOUL SEWER LONGSECTION F49.3 TO F49.1**  
HORIZONTAL SCALE 1:500  
VERTICAL SCALE 1:100



|                                   |        |
|-----------------------------------|--------|
| Diameter (mm)                     | 225    |
| Slope (1:X)                       | 80.0   |
| Cover Level (m)                   | 54.300 |
| Invert Level (m)                  | 52.950 |
| Pipe Length (m)                   | 39.386 |
| Concrete Surround Pipe Protection | No     |

**FOUL SEWER LONGSECTION F5A TO F6A**  
HORIZONTAL SCALE 1:500  
VERTICAL SCALE 1:100



|                                   |        |
|-----------------------------------|--------|
| Diameter (mm)                     | 150    |
| Slope (1:X)                       | 80.0   |
| Cover Level (m)                   | 53.400 |
| Invert Level (m)                  | 52.100 |
| Pipe Length (m)                   | 26.686 |
| Concrete Surround Pipe Protection | No     |

**FOUL SEWER LONGSECTION F4A TO F7A**  
HORIZONTAL SCALE 1:500  
VERTICAL SCALE 1:100

**PLANNING DRAWING.**  
NOT FOR CONSTRUCTION.  
ALL LEVELS GIVEN ARE  
RELATIVE TO ORDNANCE DATUM.  
THIS DRAWING HAS BEEN ISSUED FOR INFORMATION  
PURPOSES ONLY AND MUST NOT BE USED  
FOR CONSTRUCTION UNDER ANY CIRCUMSTANCES

- NOTES**
- For setting out refer to Architect's drawings.
  - This drawing to be read in conjunction with all other Architectural and Engineering drawings and all other relevant drawings and Specifications.
  - DO NOT SCALE THIS DRAWING. Use figured dimensions only.
  - No part of this document may be reproduced or transmitted in any form or stored in any retrieval system of any nature without the written permission as copyright holder except as agreed for use on the project for which the document was originally issued.
  - Ordnance Survey Ireland Licence Number EN 0074021

| Rev. No. | Date       | REVISION NOTE       | Drn. By | Chkd. By |
|----------|------------|---------------------|---------|----------|
| P1       | 22.01.2021 | OSI Licence Updated | JS      | NB       |

|           |  |          |           |          |
|-----------|--|----------|-----------|----------|
| Architect | Reddy Architecture + Urbanism  |          |           |          |
| Project   | Residential Development<br>Clonattin, Gorey                          |          |           |          |
| Title     | Proposed Foul Longsection<br>Sheet 6 of 6<br>CLO-CSC-ZZ-XX-DR-C-0047 |          |           |          |
| Dwg. No.  | CLO-CSC-ZZ-XX-DR-C-0047  |          |           |          |
| Date      | Drn. by  | Chkd. by | Aprvd. by | Scale    |
| May 2020  | AB   | GL       | NB        | AS SHOWN |
| Revision  |  |          |           | P1       |

**CS Consulting Group**  
DUBLIN | LONDON | LIMERICK

Head Office:  
19-22 Dame Street, Dublin 2.  
T: +353 (0)1 5480863 F: +353 (0)1 9011355  
e: info@csconsulting.ie  
w: www.csconsulting.ie

Quality Environment I.S. EN ISO 9001:2008  
NSAI Certified Health & Safety I.S. EN ISO 14001:2004 I.S. EN ISO 50001:2011 OHSAS 18001:2007