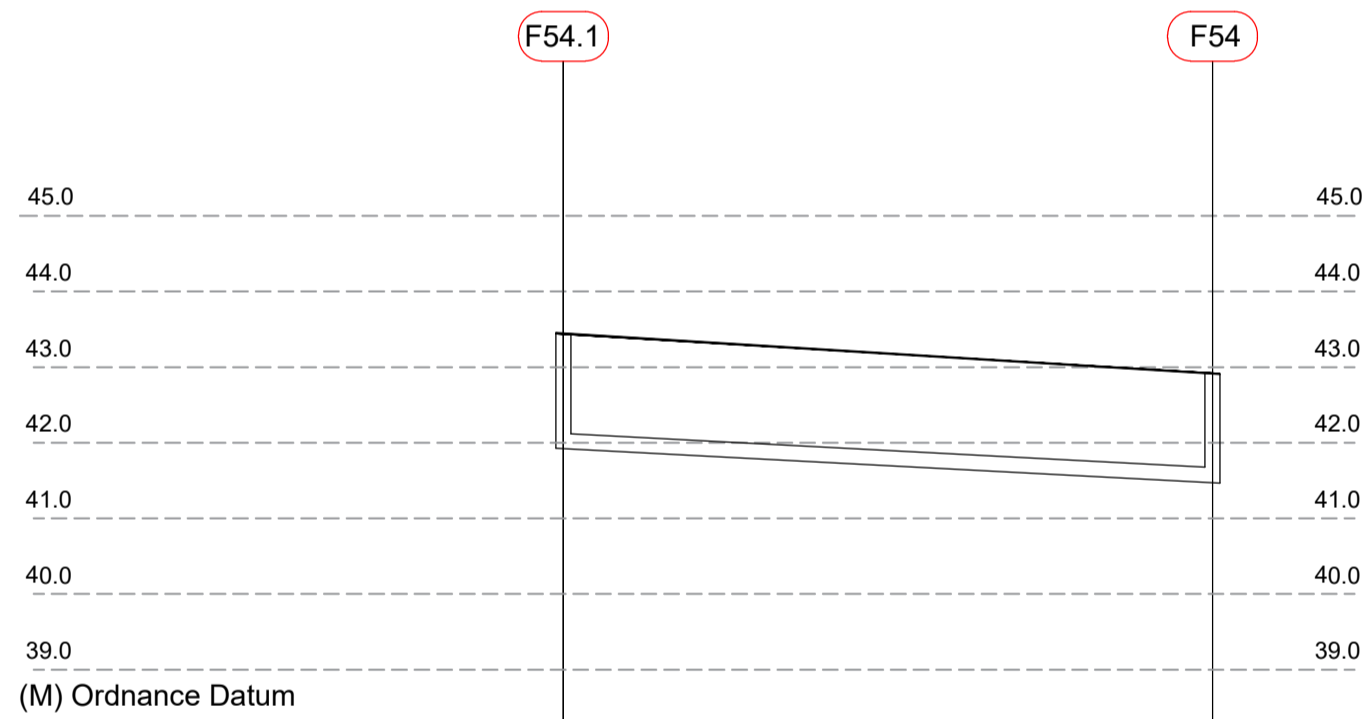


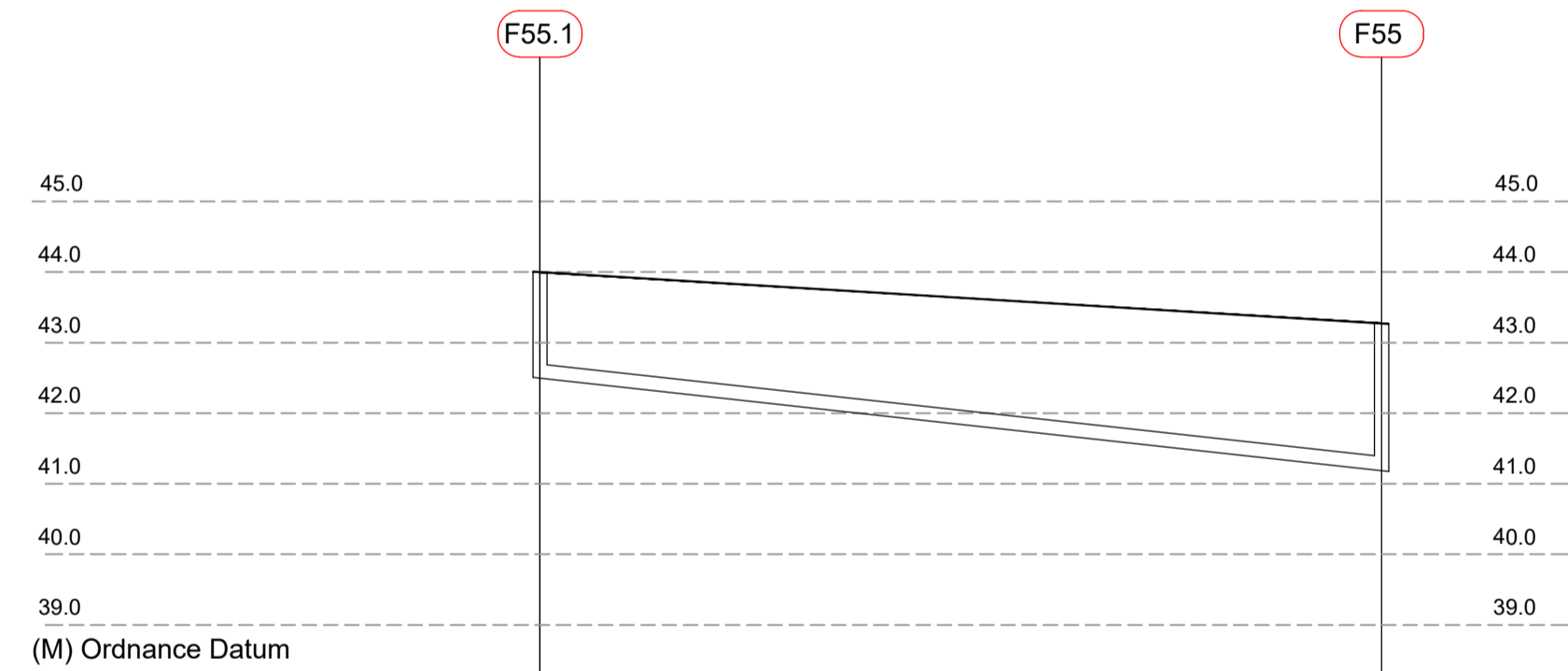
Diameter (mm)	150	150	150	150	150	225	225	
Slope (1:X)	64.0	150.0	150.0	150.0	150.0	150.0	150.0	
Cover Level (m)	42.620 44.120	41.700 43.300	41.480 42.940	41.290 43.300	41.118 42.880	41.000 42.910	40.690 43.350	40.440 43.200
Invert Level (m)	42.620	41.700	41.480	41.290	41.118	41.000	40.690	40.440
Pipe Length (m)	59.200	33.160	29.700	26.020	17.740	46.369	36.970	
Concrete Surround Pipe Protection	No	No	No	No	No	No	No	

FOUL SEWER LONGSECTION F52 TO F58
 HORIZONTAL SCALE 1:500
 VERTICAL SCALE 1:100



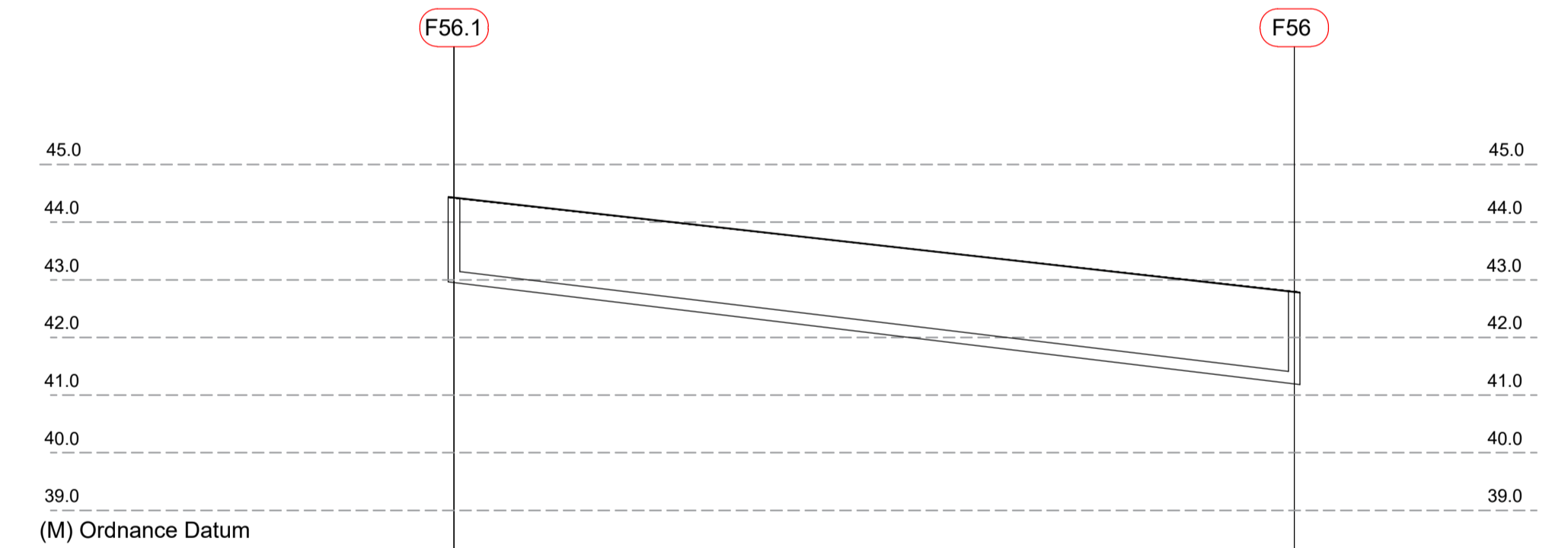
Diameter (mm)	150
Slope (1:X)	100.0
Cover Level (m)	41.910 43.410
Invert Level (m)	41.910
Pipe Length (m)	42.926
Concrete Surround Pipe Protection	No

FOUL SEWER LONGSECTION F54.1 TO F54
 HORIZONTAL SCALE 1:500
 VERTICAL SCALE 1:100



Diameter (mm)	150
Slope (1:X)	37.3
Cover Level (m)	42.440 43.970
Invert Level (m)	42.440
Pipe Length (m)	42.926
Concrete Surround Pipe Protection	No

FOUL SEWER LONGSECTION F55.1 TO F55
 HORIZONTAL SCALE 1:500
 VERTICAL SCALE 1:100



Diameter (mm)	150
Slope (1:X)	40.0
Cover Level (m)	41.118 44.400
Invert Level (m)	41.118
Pipe Length (m)	72.970
Concrete Surround Pipe Protection	No

FOUL SEWER LONGSECTION F56.1 TO F56
 HORIZONTAL SCALE 1:500
 VERTICAL SCALE 1:100

PLANNING DRAWING.
NOT FOR CONSTRUCTION.
 ALL LEVELS GIVEN ARE
 RELATIVE TO ORDNANCE DATUM.
 THIS DRAWING HAS BEEN ISSUED FOR INFORMATION
 PURPOSES ONLY AND MUST NOT BE USED
 FOR CONSTRUCTION UNDER ANY CIRCUMSTANCES

NOTES

- For setting out refer to Architect's drawings.
- This drawing to be read in conjunction with all other Architectural and Engineering drawings and all other relevant drawings and Specifications.
- DO NOT SCALE THIS DRAWING. Use figured dimensions only.
- No part of this document may be reproduced or transmitted in any form or stored in any retrieval system of any nature without the written permission as copyright holder except as agreed for use on the project for which the document was originally issued.
- Ordnance Survey Ireland Licence Number EN 0074021

Rev. No.	Date	REVISION NOTE	Dm. By	Chkd. By
P1	22.01.2021	OSI Licence Updated	JS	NB

Architect	Reddy Architecture + Urbanism
Project	Residential Development Clonattin, Gorey
Title	Proposed Foul Longsection Sheet 4 of 6
Dwg. No.	CLO-CSC-ZZ-XX-DR-C-0046
Date	May 2020
Dm by	AB
Chkd by	GL
Aprvd by	NB
Scale	AS SHOWN
Revision	P1

CS Consulting Group
 DUBLIN | LONDON | LIMERICK

Head Office
 19-22 Dame Street, Dublin 2.
 T: +353 (0)1 5480863 F: +353 (0)1 9011355
 e: info@csconsulting.ie
 w: www.csconsulting.ie

Quality
 Environment I.S. EN ISO 9001:2008
 NSAI Certified Health & Safety I.S. EN ISO 14001:2004
 I.S. EN ISO 50001:2011
 OHSAS 18001:2007