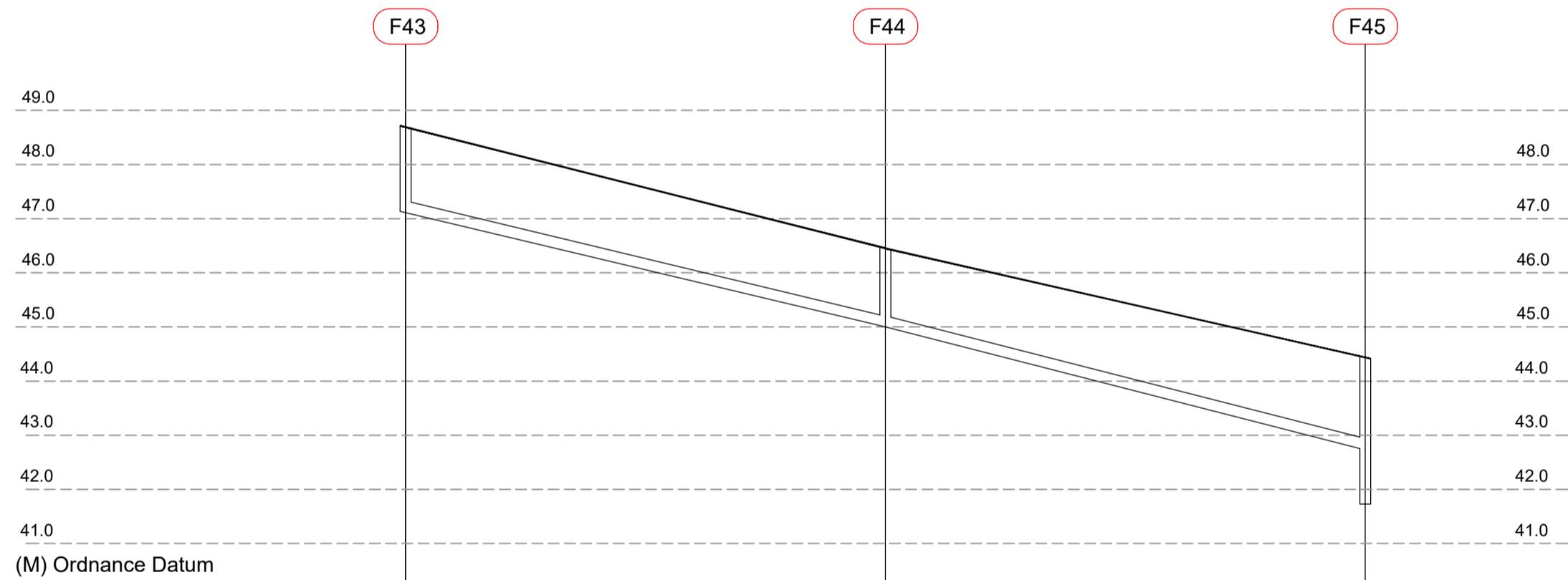


Diameter (mm)	150	225	225	225	225	225
Slope (1:X)	86.0	150.0	150.0	150.0	150.0	200.0
Cover Level (m)	42.700 / 44.230	44.510 / 41.780	44.223 / 41.350	44.680 / 41.015	44.220 / 40.750	43.200 / 40.440
Invert Level (m)	42.700	41.780	41.350	41.015	40.750	40.283
Pipe Length (m)	79.207	64.640	50.190	39.473	44.060	9.486
Concrete Surround Pipe Protection	No	No	No	No	No	No

FOUL SEWER LONGSECTION F42 TO F59
HORIZONTAL SCALE 1:500
VERTICAL SCALE 1:100



Diameter (mm)	150	150
Slope (1:X)	19.8	20.0
Cover Level (m)	47.250 / 48.760	44.510 / 46.550
Invert Level (m)	47.250	41.780
Pipe Length (m)	44.280	44.280
Concrete Surround Pipe Protection	No	No

FOUL SEWER LONGSECTION F43 TO F45
HORIZONTAL SCALE 1:500
VERTICAL SCALE 1:100



Diameter (mm)	150	150	225
Slope (1:X)	18.2	25.0	21.0
Cover Level (m)	49.200 / 50.650	49.573 / 48.000	47.120 / 46.630
Invert Level (m)	48.800	48.000	41.350
Pipe Length (m)	21.837	53.300	62.950
Concrete Surround Pipe Protection	No	No	No

FOUL SEWER LONGSECTION F46 TO F49
HORIZONTAL SCALE 1:500
VERTICAL SCALE 1:100

PLANNING DRAWING.
NOT FOR CONSTRUCTION.
ALL LEVELS GIVEN ARE
RELATIVE TO ORDNANCE DATUM.
THIS DRAWING HAS BEEN ISSUED FOR INFORMATION
PURPOSES ONLY AND MUST NOT BE USED
FOR CONSTRUCTION UNDER ANY CIRCUMSTANCES

- NOTES**
- For setting out refer to Architect's drawings.
 - This drawing to be read in conjunction with all other Architectural and Engineering drawings and all other relevant drawings and Specifications.
 - DO NOT SCALE THIS DRAWING. Use figured dimensions only.
 - No part of this document may be reproduced or transmitted in any form or stored in any retrieval system of any nature without the written permission as copyright holder except as agreed for use on the project for which the document was originally issued.
 - Ordnance Survey Ireland Licence Number EN 0074021

Rev. No.	Date	REVISION NOTE	Dm. By	Chkd. By
P1	22.01.2021	CSI Licence Updated	JS	NB

Architect	Reddy Architecture + Urbanism			
Project	Residential Development Clonattin, Gorey			
Title	Proposed Foul Longsection Sheet 4 of 6			
Dwg. No.	CLO-CSC-ZZ-XX-DR-C-0045			
Date	Dm by	Chkd by	Aprvd by	Scale
May 2020	AB	GL	NB	AS SHOWN
Revision				P1

CS Consulting Group
DUBLIN | LONDON | LIMERICK

Head Office
19-22 Dame Street, Dublin 2.
T: +353 (0)1 5480863 F: +353 (0)1 9011355
e: info@csconsulting.ie
w: www.csconsulting.ie

Quality Environment I.S. EN ISO 9001:2008
NSAI Energy I.S. EN ISO 14001:2004
Certified Health & Safety OHSAS 18001:2007