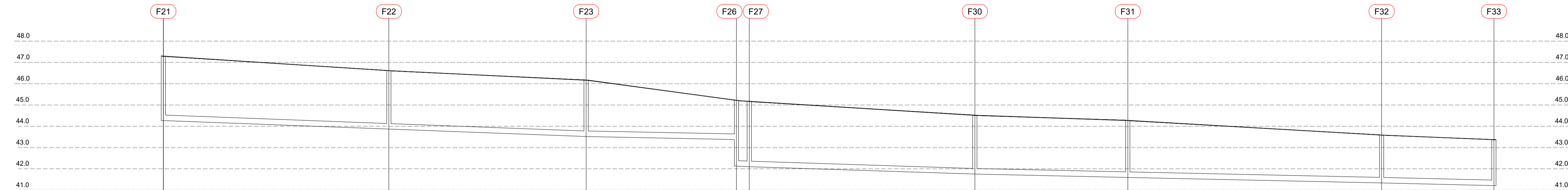


Diameter (mm)	150	150	150	225	225	225	225	225
Slope (1:X)	60	50	150	56	56	150	150	150
Cover Level (m)	49.600	48.980	48.150	47.640	46.700	45.050	44.600	44.400
Invert Level (m)	49.600	48.980	48.150	47.640	46.700	45.050	44.600	44.400
Pipe Length (m)	36.920	27.000	75.240	52.378	7.150	68.490	28.685	18.950
Concrete Surround Pipe Protection	No	No	No	No	No	No	No	No

FOUL SEWER LONGSECTION F1 TO F21
HORIZONTAL SCALE 1:500
VERTICAL SCALE 1:100



Diameter (mm)	225	225	225	225	225	225	225	225
Slope (1:X)	150	150	180	180	200	200	200	200
Cover Level (m)	44.270	43.910	43.600	43.400	42.090	41.827	41.648	41.350
Invert Level (m)	44.270	43.910	43.600	43.400	42.090	41.827	41.648	41.350
Pipe Length (m)	52.870	46.241	46.241	2.850	52.884	35.854	59.500	26.327
Concrete Surround Pipe Protection	No	No	No	No	No	No	No	No

FOUL SEWER LONGSECTION F21 TO F33
HORIZONTAL SCALE 1:500
VERTICAL SCALE 1:100

PLANNING DRAWING.
NOT FOR CONSTRUCTION.
ALL LEVELS GIVEN ARE
RELATIVE TO ORDNANCE DATUM.
THIS DRAWING HAS BEEN ISSUED FOR INFORMATION
PURPOSES ONLY AND MUST NOT BE USED
FOR CONSTRUCTION UNDER ANY CIRCUMSTANCES

NOTES

- For setting out refer to Architect's drawings.
- This drawing to be read in conjunction with all other Architectural and Engineering drawings and all other relevant drawings and Specifications.
- DO NOT SCALE THIS DRAWING. Use figured dimensions only.
- No part of this document may be reproduced or transmitted in any form or stored in any retrieval system of any nature without the written permission as copyright holder except as agreed for use on the project for which the document was originally issued.
- Ordnance Survey Ireland Licence Number EN 0074021

Rev. No.	Date	REVISION NOTE	Dm. By	Chkd. By
P1	22.01.2021	OSI Licence Updated	JS	NB

Architect	Reddy Architecture + Urbanism			
Project	Residential Development Clonattin, Gorey			
Title	Proposed Foul Longsection Sheet 1 of 6			
Dwg. No.	CLO-CSC-ZZ-XX-DR-C-0042			
Date	Dm by	Chkd by	Aprvd by	Scale
May 2020	AB	GL	NB	AS SHOWN
				Revision P1

CS Consulting Group
DUBLIN | LONDON | LIMERICK

Head Office
19-22 Dame Street, Dublin 2.
T: +353 (0)1 5480863 F: +353 (0)1 9011355
e: info@cscconsulting.ie
w: www.cscconsulting.ie

Quality
NSAI Certified I.S. EN ISO 9001:2008
Environment I.S. EN ISO 14001:2004
Health & Safety OHSAS 18001:2007